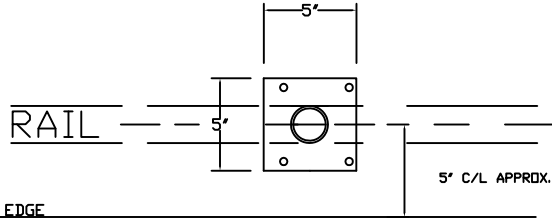


MATERIAL

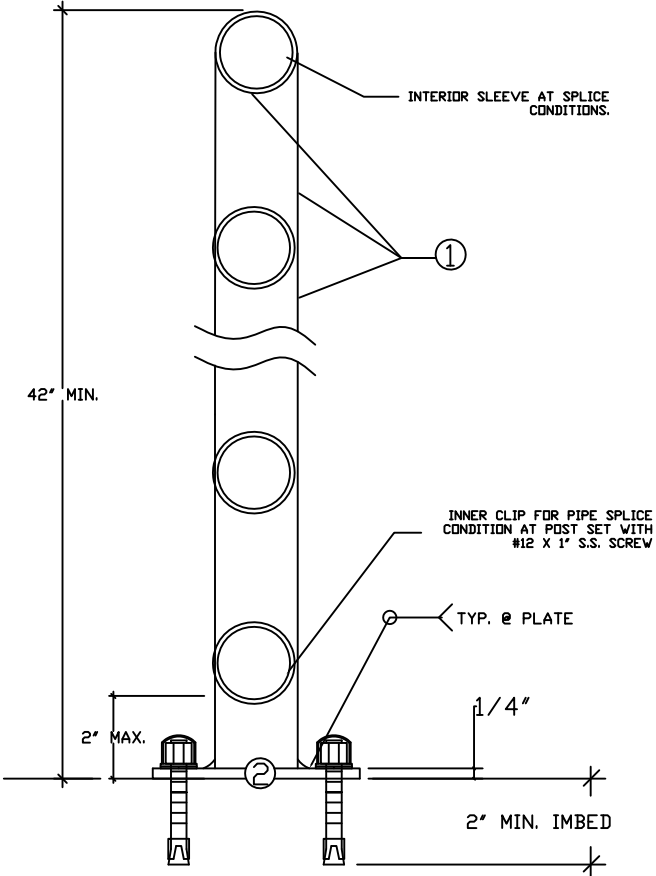
- 1) 2" ROUND X .125" TUBE
- 2) 5' X 5' X 1/4" BASE PLATE
W/(4) 3/8" X 3" S.S. WEDGE ANCHORS
WITH PLASTIC DOME CAPS



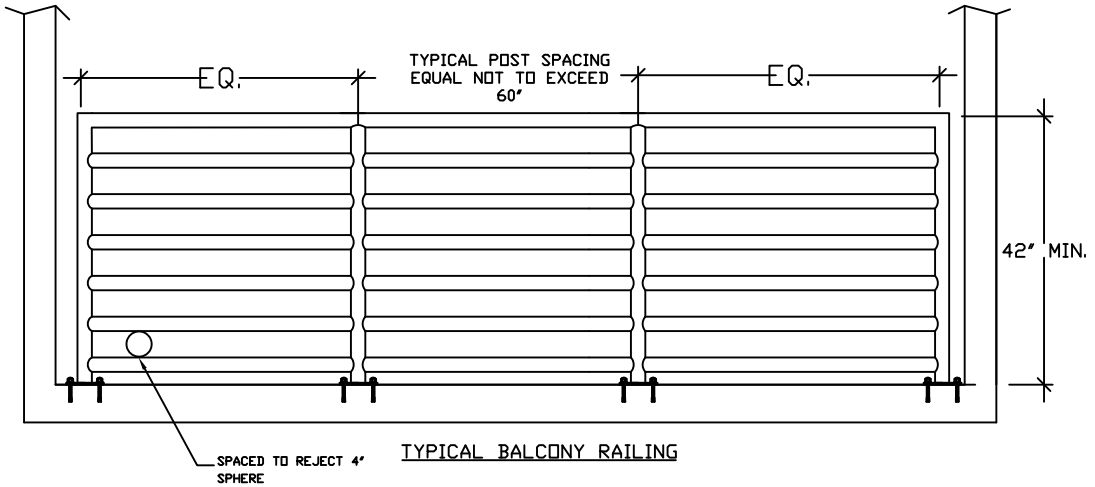
NOTES:

- 1) **MATERIAL:** EXTRUDED ALUMINUM GRADE 6000 SERIES T5 OR T-6 AS AVAILABLE.
- 2) **FABRICATION:** ALL RAIL SECTIONS TO BE WELDED UNITS IN THE LONGEST LENGTHS PRACTICAL TO FACILITATE HANDLING AND FINISHING CONDITIONS.
- 3) **FINISH:** STANDARD COLOR
- 4) DUE TO VARIATIONS IN MATERIALS AND FABRICATION, A REASONABLE DEGREE OF VARIATION CAN BE EXPECTED WITH REGARD TO SPLICE JOINTS.

RAIL FROM SLAB EDGE



TYPICAL THRU RAILING SECTION BALCONIES



TYPICAL BALCONY RAILING

ELITE CUSTOM RAILING	
E-P01 PIPE RAILING	
DATE: 05-04-06	TYP. BALCONY RAIL