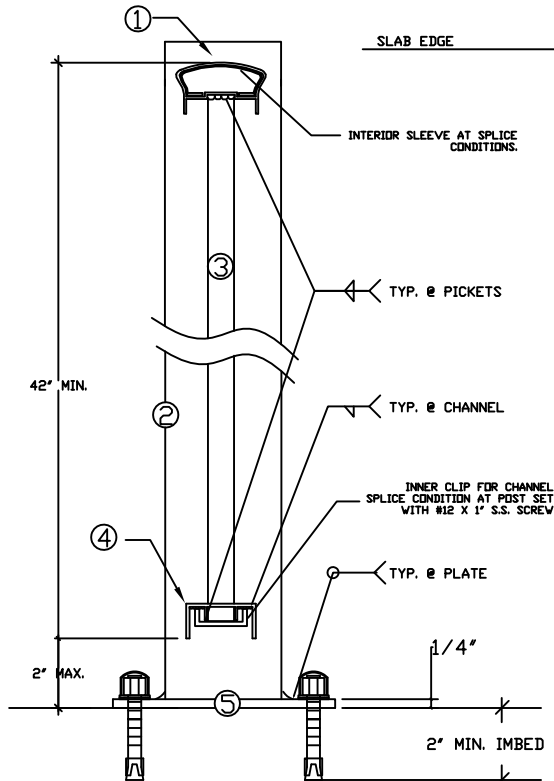
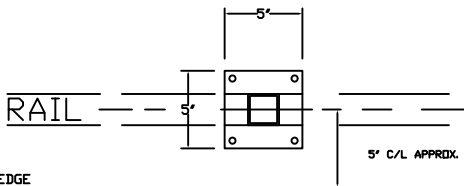


MATERIAL

- 1) 2.625" x 1.5" x .093" OVAL TOP CAP
 - 2) 3" SQ. X .125" POST
 - 3) .75" SQ. X .0625" PICKETS
 - 4) 2" X 1" X .093/.056" CHANNEL
 - 5) 5" X 5" X 1/4" BASE PLATE
- W/(4) 3/8" X 3" S.S. WEDGE ANCHORS WITH PLASTIC DOME CAPS



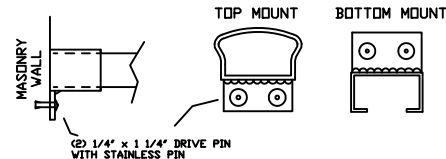
TYPICAL THRU RAILING ELEVATION UNITS AND COMMON WALK AREAS



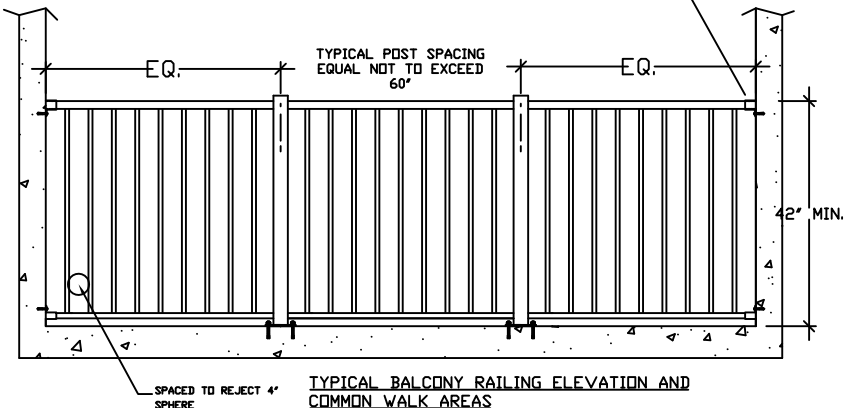
RAIL FROM SLAB EDGE

NOTES:

- 1) **MATERIAL:** EXTRUDED ALUMINUM GRADE 6000 SERIES T5 OR T-6 AS AVAILABLE.
- 2) **FABRICATION:** ALL RAIL SECTIONS TO BE WELDED UNITS IN THE LONGEST LENGTHS PRACTICAL TO FACILITATE HANDLING AND FINISHING CONDITIONS.
- 3) **FINISH:** CUSTOMER CHOICE
- 4) **DUE TO VARIATIONS IN MATERIALS AND FABRICATION, A REASONABLE DEGREE OF VARIATION CAN BE EXPECTED WITH REGARD TO SPLICE JOINTS.**



TYPICAL WALL MOUNT ATTACHMENT



TYPICAL BALCONY RAILING ELEVATION AND COMMON WALK AREAS

ELITE CUSTOM RAILING	
E-C101 RAILING SYSTEM	
DATE: 05-04-06	TYP. BALCONY RAIL AND COMMON WALK

ELITE CUSTOM RAILINGS INC.
 DAYTONA FL. (386) 257-0191
 ALUMINUM RAILING SYSTEM
 E-C101