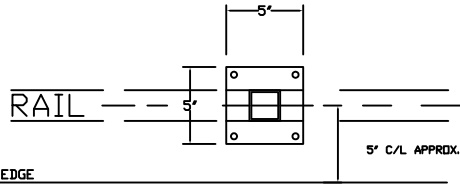


MATERIAL

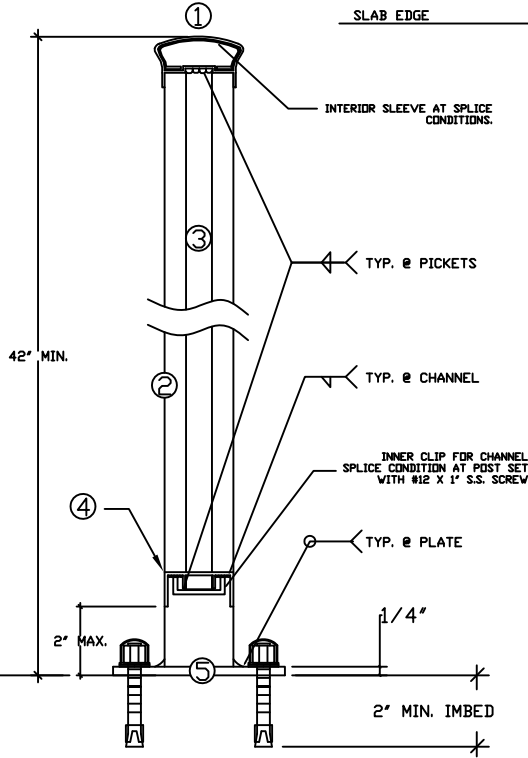
- 1) 2.625" x 1.5" x .093" OVAL TOP CAP
 - 2) 2" SQ. X .125" POST
 - 3) .75" SQ. X .0625" PICKETS
 - 4) 2" X 1" X .125" CHANNEL
 - 5) 5" X 5" X 1/4" BASE PLATE
- W/(4) 3/8" X 3" S.S. WEDGE ANCHORS WITH PLASTIC DOME CAPS



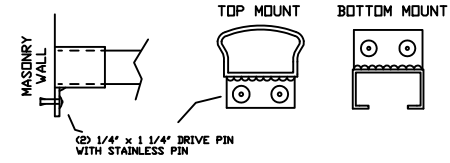
NOTES:

- 1) **MATERIAL:** EXTRUDED ALUMINUM GRADE 6000 SERIES T5 OR T-6 AS AVAILABLE.
- 2) **FABRICATION:** ALL RAIL SECTIONS TO BE WELDED UNITS IN THE LONGEST LENGTHS PRACTICAL TO FACILITATE HANDLING AND FINISHING CONDITIONS.
- 3) **FINISH:** CUSTOMER CHOICE
- 4) DUE TO VARIATIONS IN MATERIALS AND FABRICATION, A REASONABLE DEGREE OF VARIATION CAN BE EXPECTED WITH REGARD TO SPLICE JOINTS.

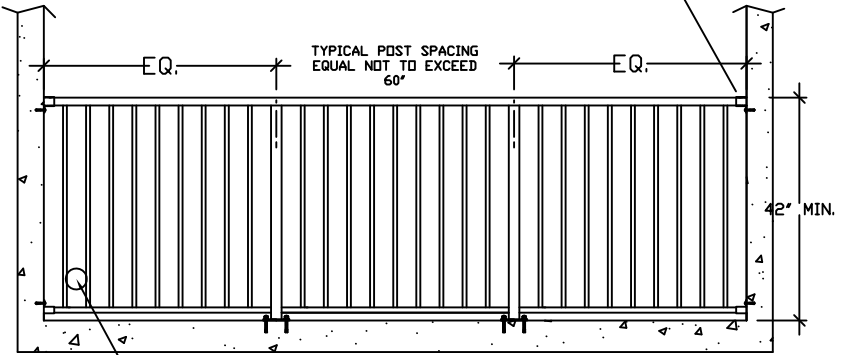
RAIL FROM SLAB EDGE



TYPICAL THRU RAILING ELEVATION UNITS AND COMMON WALK AREAS



TYPICAL WALL MOUNT ATTACHMENT

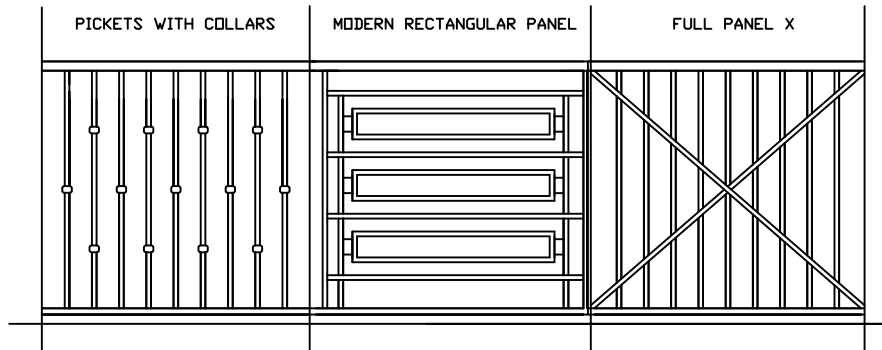
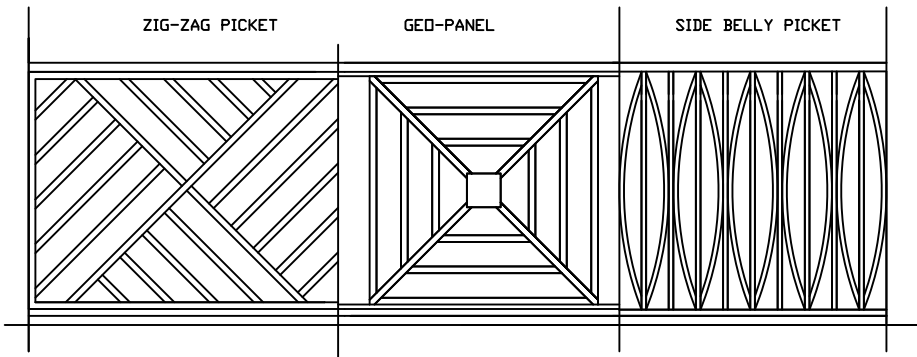


TYPICAL BALCONY RAILING ELEVATION AND COMMON WALK AREAS

ELITE CUSTOM RAILING	
E-101 RAILING SYSTEM	
DATE: 05-04-06	TYP. BALCONY RAIL AND COMMON WALK

ELITE CUSTOM RAILINGS INC.
 DAYTONA FL. (386) 257-0191
 ALUMINUM RAILING SYSTEM
 E-101

E-101 RAILING IDEAS



DRAWINGS ARE JUST A FEW
 IDEAS OF WHAT CAN BE
 ACCOMPLISHED WITH A FEW
 MODIFICATIONS TO STANDARD
 E-101 RAILING.
 IF YOU SEE SOMETHING YOU LIKE
 OR HAVE OTHER IDEAS CONTACT
 SALES AT
 1-877-257-0192

ELITE CUSTOM RAILING	
E-101C RAILING IDEAS	
DATE: 05-04-06	TYP. BALCONY RAIL AND COMMON WALK

ALUMINUM RAILING IDEAS

ELITE CUSTOM RAILINGS INC.
 DAYTONA FL. (386) 257-0191

E-101C